

FLAT PANEL WALL MOUNT

BT8421
v. ORBX 0805

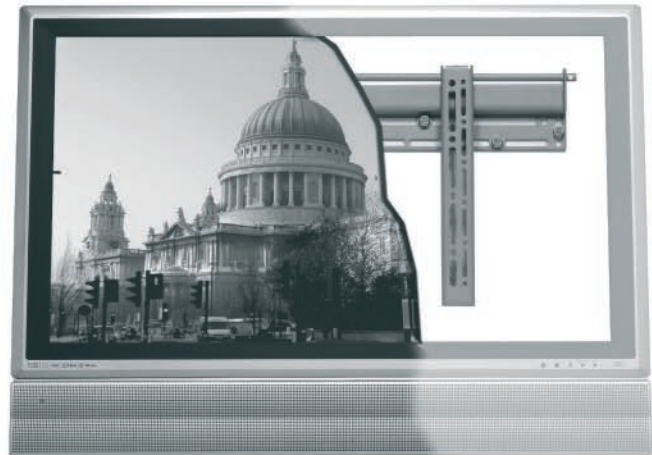
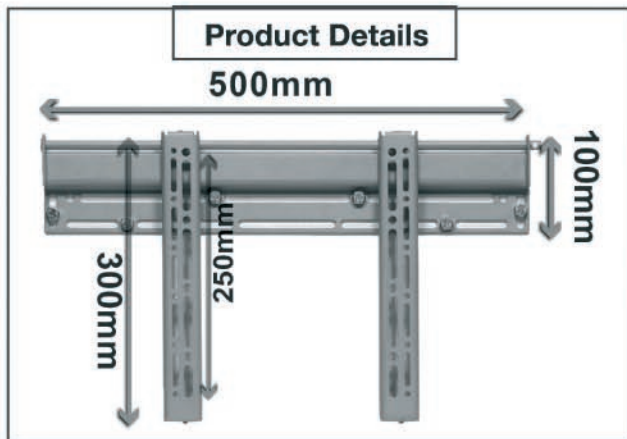
Registered Design
No: 3021713

RECOMMENDED FOR SCREEN SIZES FROM 22" - 35"
Designed for Plasma and LCD screens with a weight up to 35Kg / 77lbs.
Max distance between mounting holes: Vertical 250mm / Horizontal 475mm

ASSEMBLY AND INSTALLATION GUIDE

THIS PACK CONTAINS:

- 1 WALL BRACKET, 2 HOOK ON ARMS,
- 1 LOCKING BAR &
- 1 MOUNTING HARDWARE KIT



Important Safety Instructions:

Do not install this product until the instructions and warnings have been read and understood thoroughly.

Please keep these instructions for future reference.

Due to the weight of Flat Panel screens and their fragile nature, B-Tech recommends that a professional installer is used when mounting this bracket.

If you do not understand the instructions provided, or are not sure how to install this product, please contact a professional for advice and /or to install this mount. Failure to mount this bracket correctly may lead to serious injury and / or death. Please pay careful attention to where this mount is located. Some walls are not suitable for installation. If you install this mount on drywall it must be anchored into a wood stud, concrete block or brick behind the drywall. It is not suitable for securing to steel studs or weak concrete / brick. Installing on drywall alone will not support the weight of a flat panel screen. Ensure sufficient space and safety distance is allowed when installing this product. If installing in a public area, or over the likely path of pedestrians, this product should be mounted as far as possible from the public / pedestrians.

When drilling holes it is particularly important to take care of electrical cables, water or gas pipes in the wall.

It is important that all fixing screws supplied are used. If the fixing screws included are not sufficient for the wall you are mounting this product on, please consult your local hardware store.

The screen attached must weigh no more than the recommended weight of 35 Kg.

This mount must be mounted on a wall horizontally to prevent free motion due to the weight of the screen when adjusting the position.

Ensure that when installing your screen on this mount, that the correct viewing distance and angles are observed, as well as avoiding any direct or reflected glare including glare from electric lighting etc. If there is any doubt, consult the instruction manual of your screen.

Proper attention should be paid when laying the connecting cables so that they do not cause a hazard.

It is recommended that periodic inspections are made of the mount to ensure that there is no change to the fixings or mount.

When cleaning the mount, use dry cloth only.

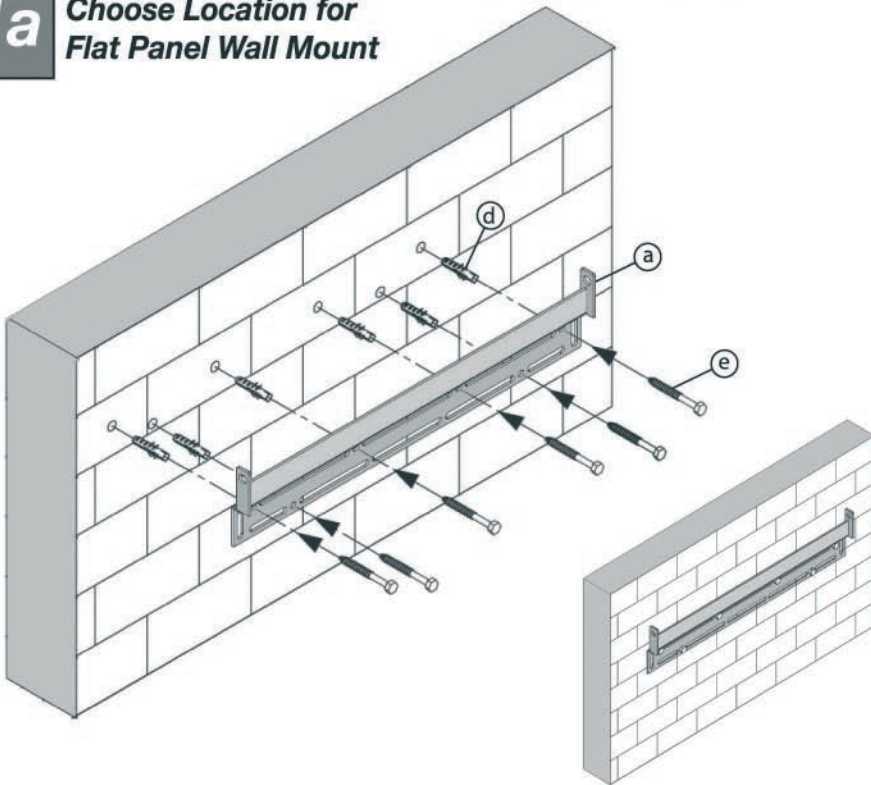
B-Tech International Limited, its distributors and dealers are not liable or responsible for damage or injury caused by improper installation, improper use or failure to observe these safety instructions. In such cases any guarantee will expire.

Parts List		Flat Screen Mounting Kit	
<p style="text-align: center;">Wall Bracket x 1</p>	<p style="text-align: center;">Hook On Arms x 2</p>	<p style="text-align: center;">Locking Bar x 1</p>	
<p style="text-align: center;">Wall Plugs x 6</p>	<p style="text-align: center;">Wall Screws x 6</p>	<p style="text-align: center;">Levelling Wheels x 2</p>	<p style="text-align: center;">Protective Pads x 2</p>
<p style="text-align: center;">Brake Screws x 2</p>	<p style="text-align: center;">Long Allen Key x 1</p>		

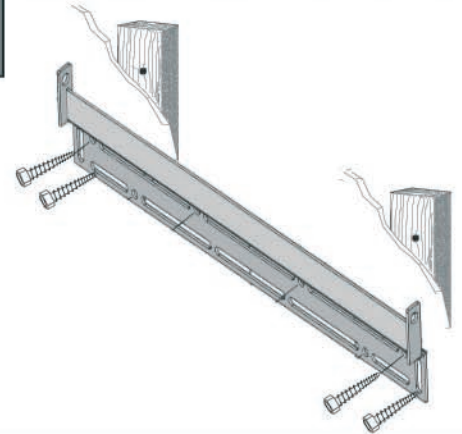
	DESCRIPTION	QTY
	M4 x 12mm Screw	8
	M4 x 16mm Screw	8
	M4 x 25mm Screw	4
	M5 x 12mm Screw	12
	M5 x 25mm Screw	6
	M5 x 50mm Screw	4
	M6 x 12mm Screw	4
	M6 x 25mm Screw	4
	Washer Ø12mm x T:1.0mm	8
	Washer Ø16mm x T:1.6mm	12
	Spacer Ø12mm x L:12mm	8
	Spacer Ø12mm x L:30mm	4

WALL BRACKET INSTALLATION

1a Choose Location for Flat Panel Wall Mount



1b

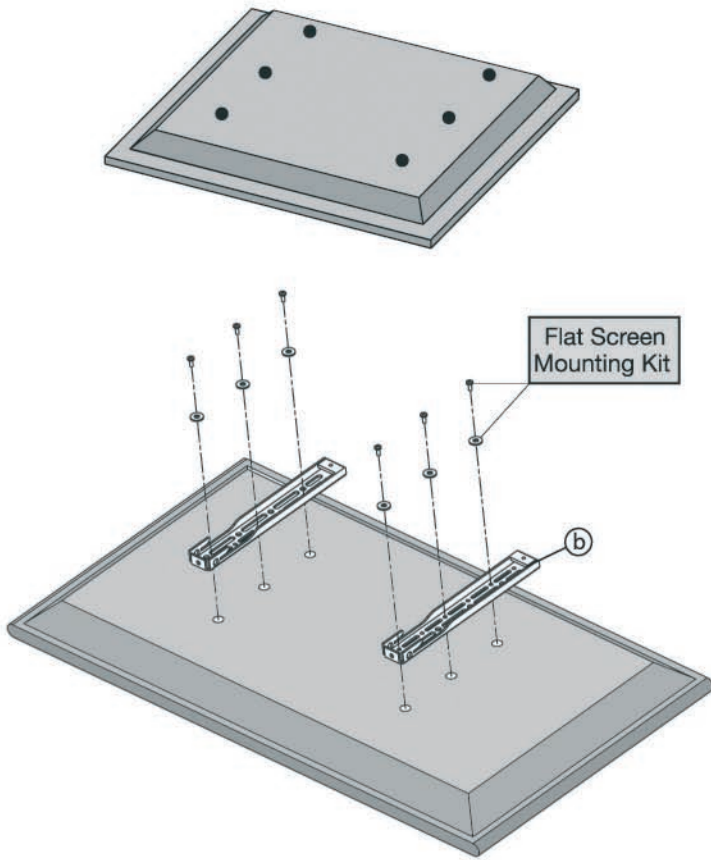


Please Note: When screen is mounted, the wall bracket will be positioned towards the top of the screen (not central). Please consider this when choosing suitable location

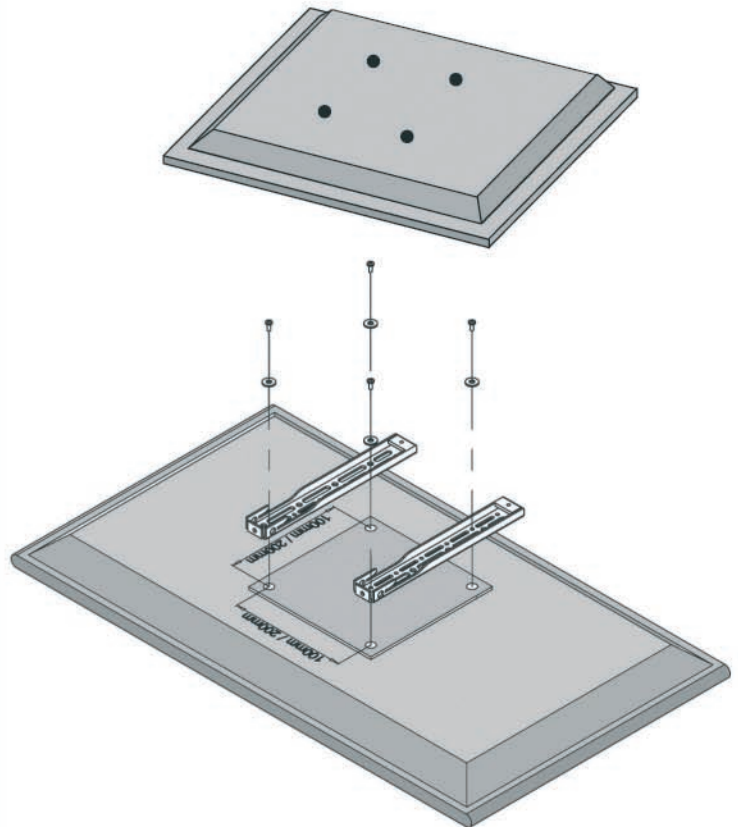
Depending on the wall (e.g. concrete wall), it is necessary to drill suitable dowel-holes beforehand. Put the wall plate against the wall (with the label including directional arrow facing towards you and upwards) and mark through the desired position for the drilling holes. Screw locations and quantities are for illustrative purposes only and not all wall fixing screws have been shown. The 8 screws supplied should be distributed as evenly as possible to spread the load. The bracket should be mounted to a stud (a "stud locator" will help) or to a concrete wall. If the only location is a concrete / brick wall, then it will be necessary to use suitable anchors

PLEASE PAY CAREFUL ATTENTION TO WHERE THIS MOUNT IS LOCATED. SOME WALLS ARE NOT SUITABLE FOR INSTALLATION. IF YOU INSTALL THIS WALL MOUNT ON DRYWALL IT MUST BE ANCHORED INTO A WOOD STUD, CONCRETE BLOCK OR BRICK BEHIND THE DRYWALL. INSTALLING ON DRYWALL ALONE WILL NOT SUPPORT THE WEIGHT OF A TELEVISION. WHEN DRILLING HOLES IT IS PARTICULARLY IMPORTANT TO TAKE CARE OF ELECTRICAL CABLES, WATER OR GAS PIPES IN THE WALL. IT IS IMPORTANT THAT ALL FIXING SCREWS SUPPLIED ARE USED.

2 *Mounting Arms to Plasma and Non-VESA LCD Screens*



LCD Screen VESA® Mounting Patterns:
200mm x 200mm / 100mm x 100mm / 75mm x 75mm



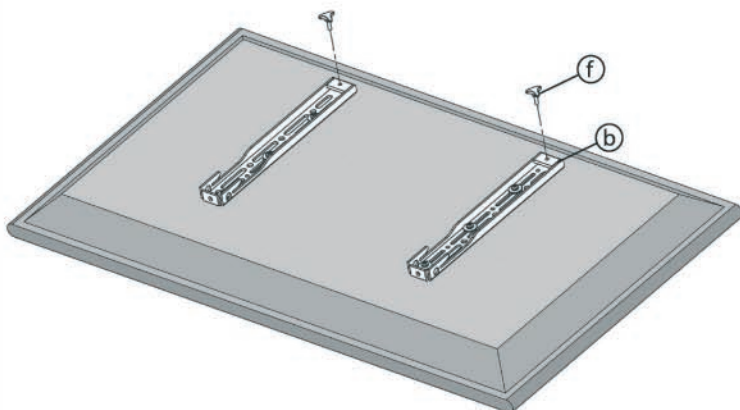
For LCD screens with a VESA® MIS-E 200mm x 100mm mounting pattern an adaptor plate (**Ref: BT7506**) is available separately

From the comprehensive mounting kit supplied, choose the applicable bolts and washers according to the mounting holes on the casing (eg M4, M5 or M6).

Spacers must always be used where the mounting holes are recessed. On some flat screen casings, there are various high and low points. Using the spacers provided, ensure that the Interface Plate does not press against the casing.

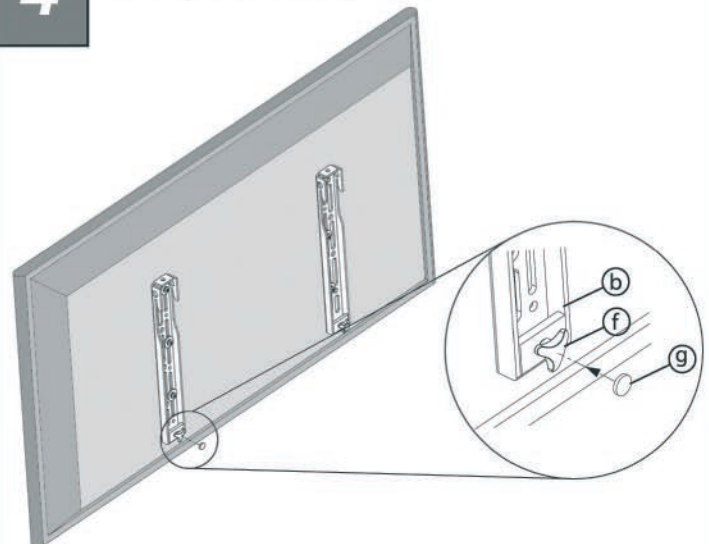
IMPORTANT : Always tighten the bolts by hand first to ensure that they are the correct thread size. Using incorrect screws can cause permanent damage to the plasma screen.

3 *Attach Levelling Wheels to Arms*



At the bottom of each hook-on arm (**part b**) screw in a levelling wheel (**part f**), this will ensure a straight viewing angle when screen is mounted.

4 *Add protective pads*

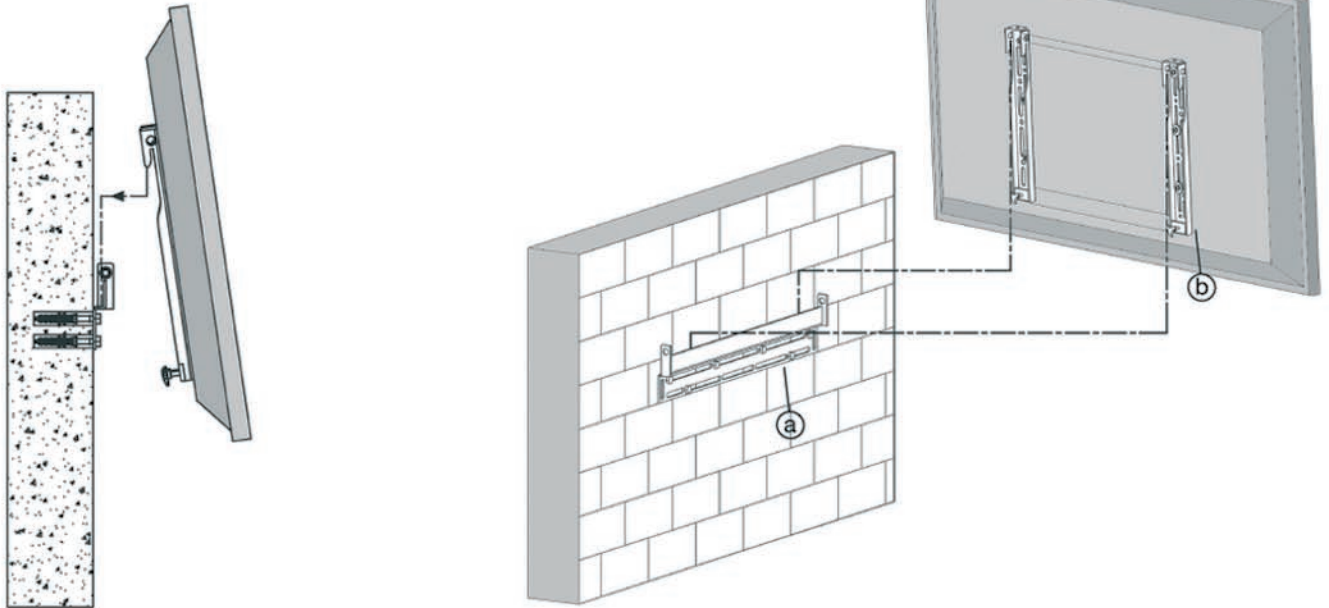


On top of each levelling wheel (**part f**) add a protective rubber pad (**part g**) to avoid any unnecessary damage to wall.

5

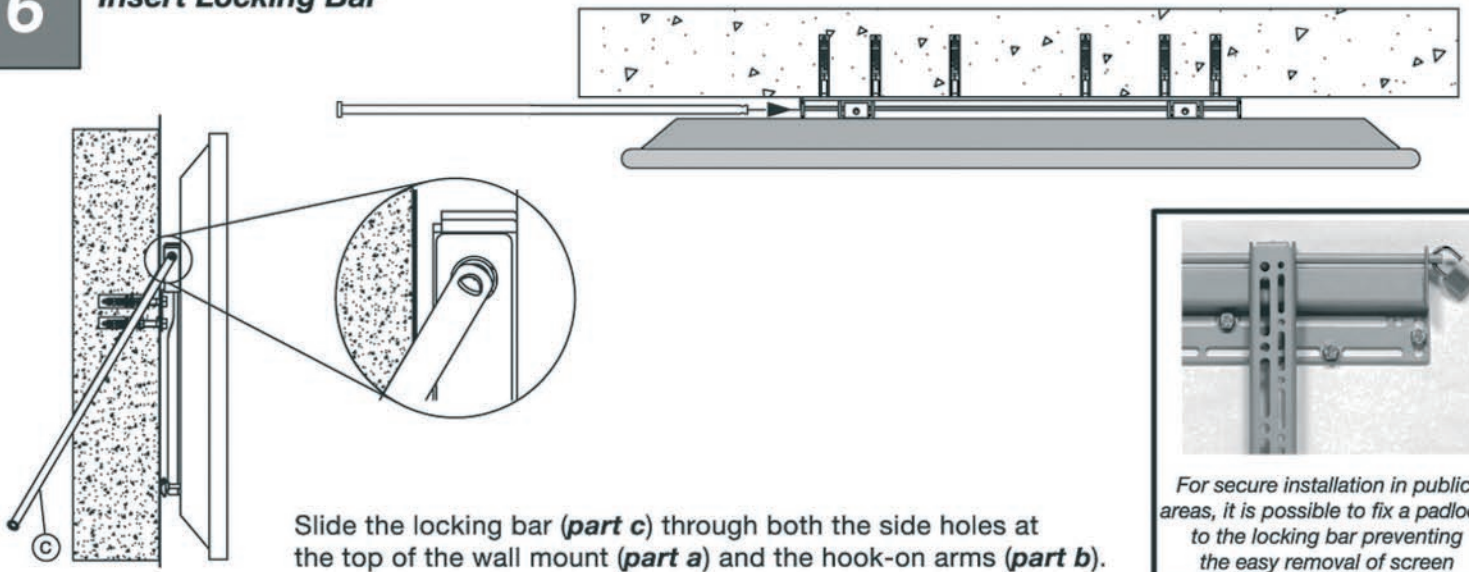
Hook Screen onto Wall Bracket

(This procedure may require 2 people)



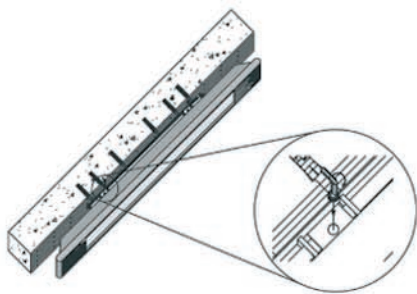
6

Insert Locking Bar

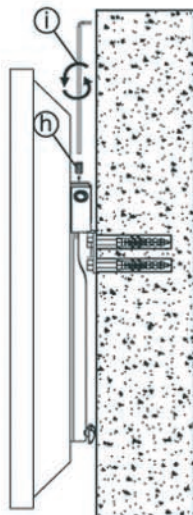


7

Secure Mount - Tighten Brake Screws



Insert a brake screw (**part h**) into the top of each hook-on arm (**part b**) and tighten with allen key (**part i**) to secure screen to locking bar (**part c**) and wall mount (**part a**).



8

Adjust Levelling Wheels for Flat Presentation of Screen

